



Newsletter – December 2012

President's Message December 2012

The holidays are upon us again...already. The year has flown by in the blink of an eye. Our annual Christmas party will be held on December 8th at 2PM at the Keaau Community Hall. It will be pot luck with the club providing turkeys and ham along with the dinnerware. Janet is providing her delicious mashed potatoes. It would be nice if you could call her to let her know what you would like to bring so that she has an idea of what is needed. Her number is 968-1271. Again this year, I am asking that you try to bring toothpaste or tooth brushes as we will be filling a box to send to Micronesia for the children in the elementary school where John KH6DLK/V63JB will be working in the next couple months. At the Hamfest we had a silent auction of handmade bags sent to us from Federai Island and earned \$111.00 which is going to be used to purchase toothpaste and/or tooth brushes. We will also have the induction of our officers for 2013. I was very pleased that Leigh WH6DZX volunteered to run for the secretary's position so that Bob AH6J could take over the Repeater chairman's job.

Richard AH7G and I are preparing for our three month trip through the South Pacific and New Zealand. Doug KH7DQ the VP is going to handle my job while we are gone. (Phone number is 985-7540) I keep telling him that this is his practice for taking over as President in 2014. Milt AH6I will be picking up the mail, making deposits not only for the club but also for the QSL Bureau and distributing any QSL cards that arrive to Joe KO4RR (now KH6GA) and Vicki N5NW who have agreed to sort the cards while we're gone. When I return I will be able to send the cards out without spending hours sorting. We have six hams who do not have computer access that we mail copies of the newsletter to each month. Sheri WH6DZW has agreed to print off the copies and mail them for us.

John KH6DLK has just returned from California where he attended the funeral of his Step-mother.

Bill WH6DQ and his lovely wife are moving to Oahu in mid-December. Good luck Bill.

Our 2013 dues are due in January but Milt AH6I is accepting them now. He has gotten four members dues turned in already. It would be a good idea to bring them to the Christmas party or to the January meeting. If you are going to mail them the check is to be made to BIARC and mailed to P.O. Box 1938, Hilo, HI 96721-1938.

Hope you have/had a Happy Thanksgiving. We have many things to be thankful for this year.

73 Barbara NH7FY



Seen at the swap meet - spare tube for your California Kilowatt

Big Island Amateur Radio Club

P.O. Box 1938

Hilo, HI 96721

www.biarc.net

Officers

President	Barbara Darling NH7FY	982-9126
Vice Pres.	Doug Wilson WH6DTD	985-7540
Treasurer	Milt Nodacker AH6I	965-6471
Secretary	Bob Schneider AH6J	966-8146

One Year Directors

Beau Mills NH7WV	968-1271
Richard Fetchen KH6WE	982-7426
Paul Agamata WH6FM	315-7156
Elizabeth Yoes WH7CU	965-5429
Chuck Epperson AH6SC	966-4698
Rick Gardner WH6LU	968-7524

Two Year Directors

Richard Darling AH7G	982-9126
Steven Jacquier WH6DPM	907-350-2122
Paul Ducasse WH7BR	985-9222
Darryl Koon AH6TQ	968-7106

Standing Committees

Service/Awards vacant		
Education	Milt Nodacker	AH6I
Emergency	Paul Ducasse	WH7BR
Equipment	Milt Nodacker	AH6I
Health&Welfare	Barbara Darling	NH7FY
Membership	Richard Darling	AH7G
Hospitality	Beau Mills	NH7WV
Newsletter	Curt Knight	AH6RE
Programs	Doug Wilson	KH7DQ
Repeater	Bob Schneider	AH6J
Webmaster	Curt Knight	AH6RE

Special Committees

Improvement	Vacant	
Field Day	Robert Oliver (969-9993)	NH6AH
Hamfest	Bob Schneider	AH6J
co-chair	Doug Wilson	KH7DQ
QSL Bureau	Barbara Darling	NH7FY

Meetings and Get-Togethers

Membership meetings – Second Saturday of each month at 2PM at the Kea'au Community Center

Board Meetings – will be held every other month 1 hour prior to the general membership meeting at the same location as the general meeting (January, March, May, July, September, November).

Friday Lunches – A group meets for lunch every Friday at 11:30 at the Pizza Hut near the KTA in Puainako Shopping Center.

East Hawai'i Net

The East Hawai'i Net meets on Monday, Wednesday, and Friday mornings at 8AM HST on the 146.76 MHz repeater.

ARES Emergency Net

Meets Saturday evening at 1900 HST on the 146.76 repeater. Backup is 146.76 simplex. All are welcome to check in.

BIWARN Accessible Repeaters

Repeaters in **bold font** are BIWARN/MCDA linked. When operating over a link, remember to leave extra time in each transmission for the link to be established. The number in parentheses is the tone access frequency.

145.29-	HOVE-Ka'u WH6FC (100)
146.66-	HOVE (100)
146.68-	Kea'au limited area KH6EJ
146.76-	Kulani KH6EJ
146.82-	Mauna Loa ARES KH6EJ
146.88-	Pepe'ekeo KH6EJ (may be linked)
146.92-	Ka'u PD KH6EJ
146.94-	Haleakala Maui KH6RS (110.9)
147.02+	Haleakala Maui RACES KH6HPZ (103.5)
147.04+	Mauna Loa RACES KH6HPZ
147.16+	Kona (Hualalai) WH6DEW (100)
147.32+	Waimea Hospital NH7HI (100)
147.38+	Waimea East KH7T experimental
442.35+	Ka'anapali Maui (136.5)
442.5+	Kea'au KH6EJ
443.40+	Ocean View KH7MS (77.0)
443.40+	Kona KH7MS (100.0)
443.65+	Ocean View Hub
444.225+	Haleakala Maui KH6RS (110.9)
444.45+	Parker Ranch KH6EJ (88.5)
444.9+	Hilo WH6FM WIN system (100)
444.775+	Hilo WH6FM XO system (123)

BIARC General Minutes for November 10, 2012

The general membership meeting was called to order by President Barbara Darling, NH7FY, at 14:00W. There was a round of introductions. There were 41 people on the sign in sheet. As a result introductions took longer than normal.

The lists of nominees, from the nomination committee, were read and no other nominations were made. Joe Owen, KH6GA made a motion that the slate be accepted and approved. Mary Brewer, WH6DYW, seconded the motion and it was approved by acclimation.

President: Barbara Darling NH7FY
Vice President: Doug Wilson KH7DQ
Secretary: Leigh Critchlow WH6DZX
Treasurer: Milt Nodacker AH6I
Two Year Directors:
John Buck KH7T
Tracy Desa WH6DYR
Rick Gardner WH6LU
Glen Kadota WH6DVB
Mary Brewer WH6DYW
John Bush KH6DLK/V63JB
One Year Directors automatically move up from two year to one year status. They are:
Richard Darling AH7G
Steven Jacquier WH6DPM
Paul Ducasse WH7BR
Darryl Koon AH6TQ

Barbara gave a talk about the ARRL incoming QSL bureau. Richard, AH7G, talked about the outgoing services. BIARC is the QSL bureau for Hawaii and Richard is one of the two DXCC card checkers. The other is John Peters, K1ER, of the Honolulu ARC in Honolulu.

Bob Schneider, AH6J, the Pacific SM, gave a talk about repeaters and EMCOM. First there were some definitions, then a short history of repeaters in the state of Hawaii and finally operating procedures and what to expect during an emergency. This was as a result of some of the problems that happened during the Tsunami Warning on October 27, 2012 caused by a 7.7 magnitude earthquake off the coast of Canada. A heated and lengthy discussion followed. The conclusion was that there was a need for more training and continuing discussion. There was also some "hardware" problems discussed. *(Note: Bob was to discuss some of the problems with the Hawaii County CD director,*

which he did on 11/11/12) As part of the discussion John Buck, KH7T, read a letter from Eric J. Grabowski {KH6CQ} the North Hawaii DEC, about his observations from the point of view of West Hawaii.

After a cool down and some refreshments, the business part of the meeting continued.

Milt gave the treasurer's Report. As of last month we have \$4,142. Since then we spent \$24.82 and brought in \$299.50 on the Hamfest. Milt said that 2013 dues are now being accepted. Regular membership is still \$20 with additional family members and students at \$10. At last count we have 124 paid members.

Education Committee: Milt said that we tested five people with all receiving at least a one class upgrade. We ended up with one Extra, one General and three Technicians. The next testing will be Thursday, November 15, 2012 at 6:30PM (W) at the LDS church on Kilauea Ave. The next Technician Class will start January 10, 2013 at the LDS church on Kilauea Ave. Call Milt for more details.

Repeater Committee: Bob reported we suffered two power outages at the Mauna Loa site. We don't know what caused the outages. The power company has no telemetry on that line so they rely on customers to call in outages.

Newsletter Committee: Be sure and get stories and articles in by the 20th of each month.

QSL report: We had 25,635 cards come in YTD and 1,785 come in during October.

Health and Welfare: John Bush, KH6DLK, is on the mainland attending his Step Mother's funeral.

Barbara appointed Milt as head of the Budget Committee.

Barbara and Richard will be taking a vacation and Vice President Doug Wilson, KH7DQ, has agreed to run the meetings in their absence.

Milt made a motion to pay our VOAD dues of \$25 for 2013. Seconded by Bob and unanimously approved.

Sheri WH6DZW has agreed to mail out the six newsletters each month while Barbara is away on vacation. These are to hams that have no E Mail. Envelopes, stamps and a list will be given to her.

Barbara said for everyone to check the current roster for errors ASAP.

Meeting adjourned at 4PM

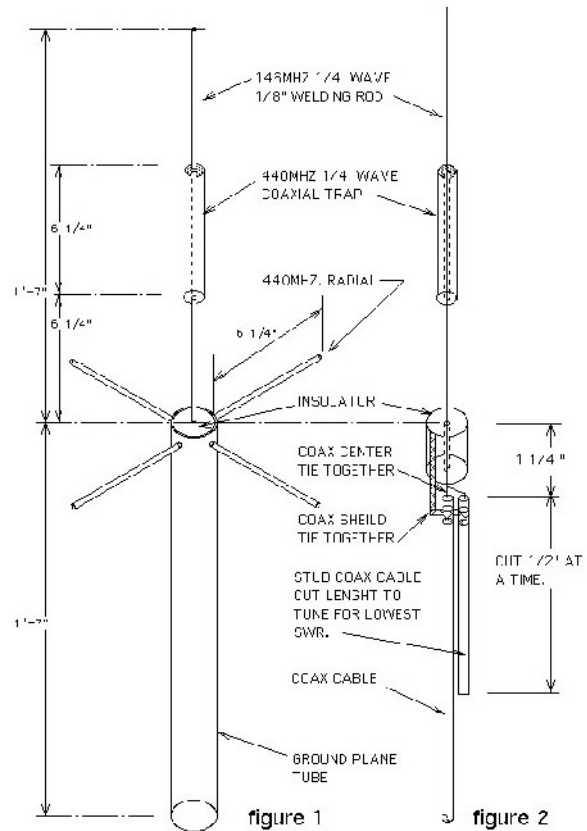
This is from the last minutes: Hilo ARC has already reserved Coconut Island for next years combined club picnic on Aug 24, 2013. They hope to have station on the air along with the normal picnic activities. There will be more on this later.

Respectfully, Bob Schneider, AH6J



A VHF antenna construction project

Robert Oliver NH6AH



This machine attracted a lot of attention at the swap meet. Perpetual motion?? Thanks Jeremy AH6V.

A very easy to build dual band vertical VHF antenna that works very well. The drawings represent a pictorial detail of the antenna at figure 1. Figure 2 is a schematic drawing showing the coaxial cable connection to the vertical radiator and the coaxial stub tuning device for 1:1.0 SWR. The antenna is constructed from 3/4" copper water pipe and 1/8" brass welding rods.

The 440 MHz coaxial trap is 3/8" copper pipe bent together and soldered to the welding rod at the top. The antenna is a 1/4 wave vertical ground plane on 2 meters and a 1/4 wave with a 1/2 wave on top on 440. The insulator is a wood dowel that fits the inside diameter of the copper pipe. Drilling the hole through the dowel is best done with a drill press, however, but it can be done with hand drill and a vice to hold the dowel. When finished drilling, the wood dowel should be soaked in hot wax to keep the moisture out.

2 meter tuning is simple, after soldering the coax cable to the welding rod. Using a SWR Meter, trim off the stub 1" at a time until the SWR starts to reduce. Then go to 1/2" trim. I found the length to be about 9 1/2" long. One may have to pull the insulator assembly in

and out several times for perfect tuning. Wrap up it with electrical tape and put it together. Solder the coax shield to the copper pipe. Painting the antenna with clear plastic spray is good weather protection. The antenna can be fitted into a PVC pipe for better protection.



Happy holidays, 73, NH6AH.



KH7Y at the swap meet

Ten-Ten International Net



The 2012 special event of 10-10 International Net will be November 24 and 25. It allows members in all US call areas to use the W6OI call sign. Louis, N6ELK, operates W6OI on the 10-10 daily nets which meet at 1800Z on 28.380 and 28.800. VE9TEN is also an official 10-10 club station. Special event QSL cards are available for each call area worked and a free certificate will be given to operators that work W6OI in all call areas. Stations working VE9TEN can count it as a wild card for a US call area needed for the certificate.

If conditions to Europe are good, listen for the German 10-10 club station DL0X.

I'm pleased to announce that the 2013 10-10 International Convention will be held at the Sheraton hotel at Bradley International Airport in Windsor Locks, CT. The dates are July 12 and 13, and there is more information on the web site www.10-10.net.

Rick WH0AI (#1757) will obtain a V73 call sign for the winter contest season. Watch for him and collect his number.

Irene NH7PE

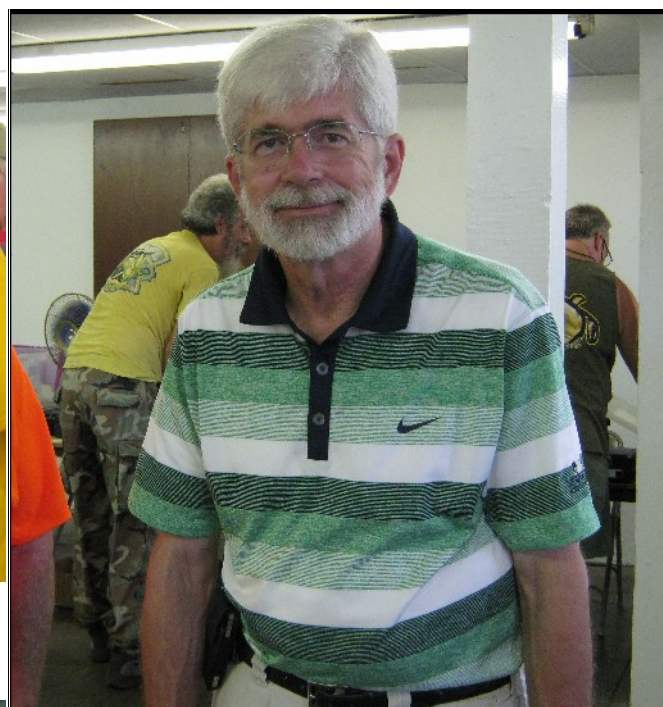


You can get more than 500W out of this 833 – even on 10 meters.

Other faces seen at the swap meet



Joe Owen wants you to know that his new call is KH6GA!



Tom Thornton AH6ZZ now lives in Kapolei



Dean Manley KH6B